



# DROMEAS

## ACTION

### Adjustable back

Made of thermoplastic polyamide in black. It has an independent height adjustment mechanism in 5 different positions, with a total height of 6cm. In addition, the backrest has built-in lumbar support for greater comfort

### Back coating

Available in net, cloth and leather

### Adjustable arms

Thermoplastic polyamide with height adjustment (70mm). They also have a width adjustment of 395-450mm. The contact surface of the arms is made of molded polyurethane of medium hardness for greater comfort and ergonomics. It can be rotated  $\pm 15^\circ$  and can be moved back and forth in 6 positions

### Synchro mechanism

5-position stabilization, anti-panic system and adjustment to user weight via tilting impeller. Allows synchronous tilt of the seat by  $11^\circ$  and the back support by  $22^\circ$



### Base

5-star 660mm, die-cast aluminum painted with electrostatic paint or polished

### Twin wheels / Anti-slip feet

The wheels are twin reinforced thermoplastic material (polyamide). Optional wheels are fitted with fixed feet

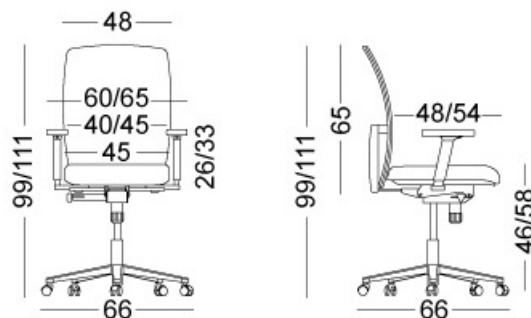


**Ergonomic adjustable back support back:**



*The Back of Action has Anatomic design and is designed according to the ergonomic standards EN 1335. It offers back support and the user can easily adjust the height simply by lifting it upwards. In addition, the back has a lumbar support cushion for even greater comfort. It has synchro mechanism with anti-panic mode which adjusts the seat to the wearer's weight, making it comfortable and relaxing. The seat arms are rotatable and adjustable in height and width.*

Weight:16,8kg





# DROMEAS

## Color chart:



## Certificates

EN 1335-1:2000,  
EN 1335-1/AC:2002,  
EN 1335-2:2009,  
EN 1335-3:2009  
DIN 4550 / 12.04



<https://www.dromeas.gr/>